

SINCE 1993

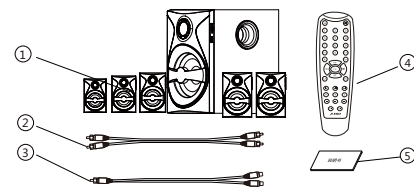


Caution

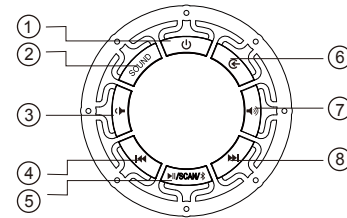
- * Do not place system in high temperatures or humid environments, keep the system dry and handle with care to avoid damage.
- * In order to avoid electric shock and other accidents, do not open the back panel cover for repair without professional guidance.
- * In case fragments or other liquids are accidentally sprinkled inside the cabinet, please switch off the power immediately.
- * In case of repair, please come to F&D's professional maintenance for help.
- * Switch off the power and unplug from the power jack when the system is not on work.
- * Keep the cabinet vent far from the wall by 20mm at least and the air vent should not be blocked.

Packaging content

① Speaker	1unit
② RCA to RCA cable	3pcs
③ RCA to 3.5mm cable	1pc
④ Remote control	1pc
⑤ Manual & warranty card	1pc



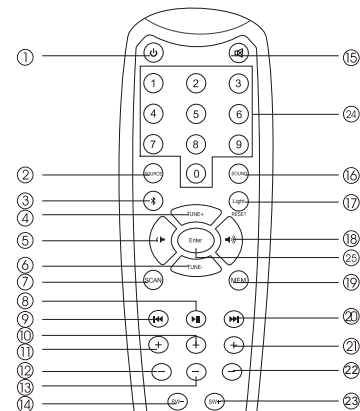
Front panel keys



- | | |
|--------------------|----------------------------|
| 1. Standby | 5. Play/Pause/Scan/BT Pair |
| 2. Sound | 6. Source |
| 3. Decrease volume | 7. Increase volume |
| 4. Previous | 8. Next |

1. Turn on/off the unit.
2. Sound: Switch between Normal & Prologic sound effects.
- 3/7. Decrease or Increase the volume level.
4. **Previous:**
 - a. USB/SD mode: Short press to select previous song and long press to select previous folder.
 - b. FM mode: Short press to select previous stored station, FM LED display flash once. When it reaches to 1st stored station/channel, short press of this key does not change the channel & LED display remains bright.
 - c. Bluetooth mode: short press to select previous song.
5. **Play/Pause/Scan/BT Pair:**
 - a. USB/SD Mode: Short press for play/pause the music playback.
 - b. FM Mode: Short press to start Auto Search & this will store the found frequencies (channels) automatically.
 - c. Bluetooth mode: short press to play/pause music. long press will enter in to pairing mode, blue LED display will flash fast.
6. **Source:** Switch between BT,DVD, AUX, USB/SD and FM mode. LED display on subwoofer panel will be bright to indicate related source mode.
8. **Next :**
 - a. USB/SD mode: Short press to select next song and long press to select next folder.
 - b. FM mode: Short press to select next stored station, FM LED display flash once. When it reaches to last stored station/channel, short press of this key does not change the channel & LED display remains bright.
 - c. Bluetooth mode: short press to select next song.

Remote control



1. Standby ON/OFF
2. Source button
3. Bluetooth pairing button
4. Tune + button
5. Volume decrease
6. Tune - button
7. FM auto scan button
8. Play/Pause button
9. Previous button
10. Center volume increase button
11. Front volume increase button
12. Front volume decrease button
13. Center volume decrease button
14. Bass decrease button
15. Press to mute or unmute the sound
16. Sound button
17. Light/Reset button
18. Volume increase button
19. FM station Memory button
20. Next button
21. Rear volume increase button
22. Rear volume decrease button
23. Bass increase button
24. Numeric keys
25. Enter key

Remote control keys function

1. : Turn on/off unit.
2. : Source: Switch between BT, DVD, AUX, USB/SD and FM mode.
3. : short press to enter in to Bluetooth mode & long press will enter in to Pairing mode. blue LED display will flash fast.
- 4/6. : FM mode: Fine Tuning: Short press to increase or decrease one step (100Khz), FM LED display flash once. LED display stop flashing once it reaches to Minimum or Maximum frequency. Manual Tuning: Long press of this key works for Manual tuning, It finds the next available frequency.
- 5/18. : Decrease or increase the master volume.
7. : Scan: FM mode: Short press to start Auto Search & this will store the found frequencies (channels) automatically.
8. : Play/Pause:
 - a. USB/SD Mode: Short press for play/pause the music playback.
 - b. Bluetooth mode: short press to play/pause music.
9. : Previous
 - a. USB/SD mode: Short press to select previous song and long press to select previous folder.
 - b. FM mode: Short press to select previous stored station, FM LED display flash once. When it reaches to 1st stored station/channel, short press of this key does not change the channel & LED display remains bright.
 - c. Bluetooth mode: short press to select previous song.
- 10/13. : Increase or decrease volume of center speaker.
- 11/12. : Increase or decrease the volume of front speakers.
- 14/23. : Increase or decrease the volume of subwoofer.
15. : Press it to mute or unmute the sound.
16. : Sound: switch between Normal & Prologic sound effects.
17. : Light/Reset: short press to turn on/off light. long press to go to default settings.
19. : MEM: Short press of this key work to store tuned station through Fine or Manual tuning. FM LED display flash once to indicate store/save operation. (max. 100 stations).
20. : Next
 - a. USB/SD mode: Short press to select next song and long press to select next folder.
 - b. FM mode: Short press to select next stored station, FM LED display flash once. When it reaches to last stored station/channel, short press of this key does not change the channel & LED display remains bright.
 - c. Bluetooth mode: short press to select next song
- 21/22. : Increase or decrease volume of rear speakers.

Bluetooth pairing

24. (0-9) Numeric Keys
 - a. USB/SD Mode: directly press numeric keys through remote to select your favorite song if you know the song number in the folder. One folder limits to 999 songs and press "9 9 9" within short time to select 999th song. The system will automatically play the last song of the folder if you press number excess of song numbers of that folder.
 - b. FM Mode: directly press numeric keys through remote to select your favorite station if you know the station number (1~100). Or press 3 or 4 digits of frequency to play that station, for example, 1026 for 102.6 MHz station. If station not found, the unit will state at current station only.
 25. Enter key: Confirm setting.
- Bluetooth pairing**
Switch to Bluetooth mode, F3800X will automatically search the Bluetooth device. If the device paired before, F3800X will connect automatically. If can't find paired device, F3800X will enter pairing mode automatically, bluetooth LED display under pairing button flashes quickly.
1. Active "Bluetooth" function on your device and search for "F3800X". Enter "0000" if your device asks for the PIN code..
 2. After pairing successfully, bluetooth LED display will be bright, and ready for playing music.
- Recommend to adjust suitable volume before playing music.

Tips: To make sure your PC or notebook is working well with our Bluetooth speakers, it is recommended that you check with your PC or notebook vendor first. Make sure the correct Bluetooth driver software is installed

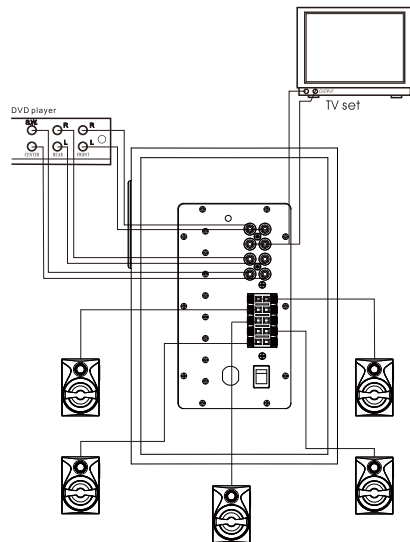
Prologic function

- A. Using SOUND key you can convert 5.1 channel into 5.0CH/PROLOGIC effect through AUX input.
- B. To get the real 5.1 effect, connect 5.1CH output of your DVD to the input of F3800X & select "PROLOGIC" through sound key of remote control.



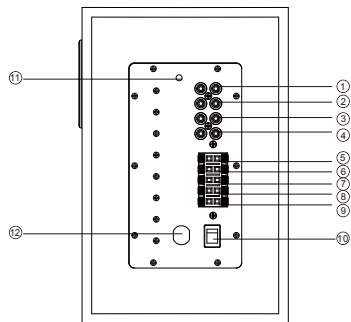
System connection

6



Instruction of rear board

7



- 1. AUX L/R input
- 2. DVD F.R/F.L input
- 3. DVD S.R/S.L input
- 4. DVD SW/Center input
- 5. Speaker front right output
- 6. Speaker front left output
- 7. Speaker center output
- 8. Speaker rear right output
- 9. Speaker rear left output
- 10. Power switch
- 11. FM antenna
- 12. Power cable

Specifications

Output Power(RMS): 30W+10WX5
 Speaker Unit:
 Satellites: 3"
 Subwoofer: 5.25"
 Frequency Response:
 Satellites: 40Hz-125Hz
 Subwoofer: 120Hz-20KHz
 S/N Ratio: ≥70dB
 Separation: ≥40dB
 Power:220V-240V AC 50/60Hz 0.32A
 Unit size:
 Satellites: W115XD104XH176mm
 Subwoofer: W193XD282XH298mm

SHENZHEN FENDA TECHNOLOGY CO.,LTD,GUANGDONG,PRC
 ADD: Fenda Hi-Tech Park, Zhoushi Road, Shiyao, Baoan, Shenzhen, Guangdong, PRC
 Tel: +86-755-27486668 (800 line) Fax: +86-755-27353777 P.C.: 518108

F&D WARRANTY CARD

END-USER'S COPY
 WARRANTY REGISTRATION CERTIFICATE

Mr./Mrs/Ms First Name: _____
 Last Name: _____
 Address: _____
 Contact No.: _____
 Product Name: _____
 Model No.: _____
 Serial No.: _____
 Date Purchased: _____
 Invoice No.: _____
 Retail Outlet Where Purchased: _____

 (Please print the name & address)

SECTION 1

WARRANTY TERMS & CONDITIONS

The warranty will be effective only if the warranty card is completed and returned to the company within 14 days from the date of purchase. We guarantee the provision of free services of F&D product within the warranty period, from its date of purchase from our Authorised Dealer. The period and conditions of our warranty service are as follow:
 1. The warranty covers services by our F&D Authorised Dealer. This warranty card together with the receipt must be presented when servicing is required. This warranty card is irreplaceable in the event of loss.
 2. Repair services will be provided for defects arising from normal usage for the following period, commencing from the date of purchase from our F&D Authorised Dealer. (Parts would be replaced when necessary)
 A. Parts:..... 1 year
 B. Technical service free..... 1 year
 3. Under the following circumstances, service and parts will be chargeable even within the warranty period:
 A. Failure to present the warranty card and receipt when servicing is required.
 Full particulars not clearly shown or alterations made against the actual information.
 For e.g.: Alteration of the date of purchase, serial numbers-altered or removed.
 B. This unit being tampered with, altered in any way by any unauthorised technicians or which has been subjected to misuse, negligence or accident. This guarantee does not cover damage occurring in transit by or from the customer.
 C. The defect is caused by the attack of household pests, fire, lighting, natural disasters, pollution, abnormal voltage or the usage of generator.

Shenzhen Fenda Technology Co., Ltd.
 Add : Fenda Hi-Tech Park, Zhoushi Road, Shiyao, Baoan, Shenzhen, China
 P.C. : 518108 Http://www.fenda.com

F&D WARRANTY CARD

DISTRIBUTOR'S COPY
 WARRANTY REGISTRATION CERTIFICATE

Mr./Mrs/Ms First Name: _____
 Last Name: _____
 Address: _____
 Contact No.: _____
 Product Name: _____
 Model No.: _____
 Serial No.: _____
 Date Purchased: _____
 Invoice No.: _____
 Retail Outlet Where Purchased: _____

 (Please print the name & address)

SECTION 2

WARRANTY TERMS & CONDITIONS

The warranty will be effective only if the warranty card is completed and returned to the company within 14 days from the date of purchase. We guarantee the provision of free services of F&D product within the warranty period, from its date of purchase from our Authorised Dealer. The period and conditions of our warranty service are as follow:
 1. The warranty covers services by our F&D Authorised Dealer. This warranty card together with the receipt must be presented when servicing is required. This warranty card is irreplaceable in the event of loss.
 2. Repair services will be provided for defects arising from normal usage for the following period, commencing from the date of purchase from our F&D Authorised Dealer. (Parts would be replaced when necessary)
 A. Parts:..... 1 year
 B. Technical service free..... 1 year
 3. Under the following circumstances, service and parts will be chargeable even within the warranty period:
 A. Failure to present the warranty card and receipt when servicing is required.
 Full particulars not clearly shown or alterations made against the actual information.
 For e.g.: Alteration of the date of purchase, serial numbers-altered or removed.
 B. This unit being tampered with, altered in any way by any unauthorised technicians or which has been subjected to misuse, negligence or accident. This guarantee does not cover damage occurring in transit by or from the customer.
 C. The defect is caused by the attack of household pests, fire, lighting, natural disasters, pollution, abnormal voltage or the usage of generator.

Shenzhen Fenda Technology Co., Ltd.
 Add : Fenda Hi-Tech Park, Zhoushi Road, Shiyao, Baoan, Shenzhen, China
 P.C. : 518108 Http://www.fenda.com